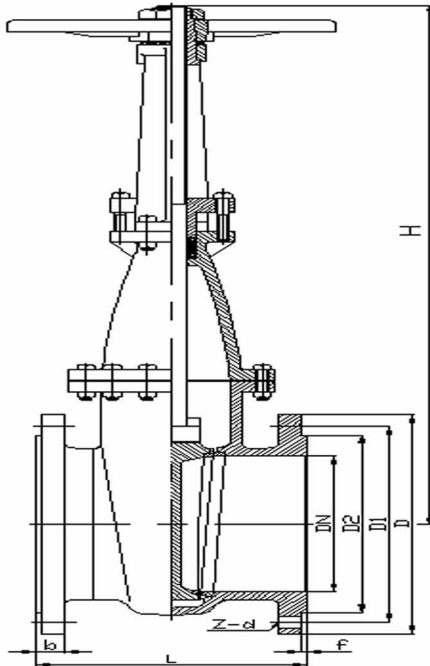


BS5163 / BS5150 METALLIC SEATED WEDGE GATE VALVE O.S.&Y



Materials of Parts

Body	Ductile Iron to BS2789 Gr. 500/7
Bonnet	Ductile Iron to BS2789 Gr. 500/7
Disc	Ductile Iron to BS2789 Gr. 500/7
Body seats	Brass to BS2874
Wedge seats	Brass to BS2874
Yoke	Ductile Iron to BS2789 Gr. 500/7
Stem	Stainless Steel to BS970 Gr. SS420
Stem nut	Brass to BS2874
Gasket	EPDM to BS2494
Handwheel	Ductile Iron to BS2789 Gr. 500/7
Bolts & Nuts	SS304 / Carbon Steel with Zinc

Dimension: PN16

Size	D	D1	D2	H	L	b	f	z-d	Weight kg
DN50	165	125	99	304	178	20	3	4-Ø19	15
DN65	185	145	118	354	190	20	3	4-Ø19	18
DN80	200	160	132	406	203	22	3	8-Ø19	23
DN100	220	180	156	453	229	24	3	8-Ø19	30
DN125	250	210	184	529	254	26	3	8-Ø19	42
DN150	285	240	211	586	267	26	3	8-Ø23	52
DN200	340	295	266	780	292	30	3	12-Ø23	88
DN250	405	355	319	933	330	32	3	12-Ø28	125
DN300	460	410	370	1036	356	32	4	12-Ø28	167
DN350	520	470	429	1184	381	36	4	16-Ø28	250
DN400	580	525	480	1298	406	38	4	16-Ø31	316

Note: The illustrations in this catalogue are subject to modifications without notice.

MINGPIN  **METALS**

No.69 Wangjiang West Road, Hefei, China
sales@mingpinmetals.com

T: +86-551-64211984 F: +86-551-64211974
www.mingpinmetals.com