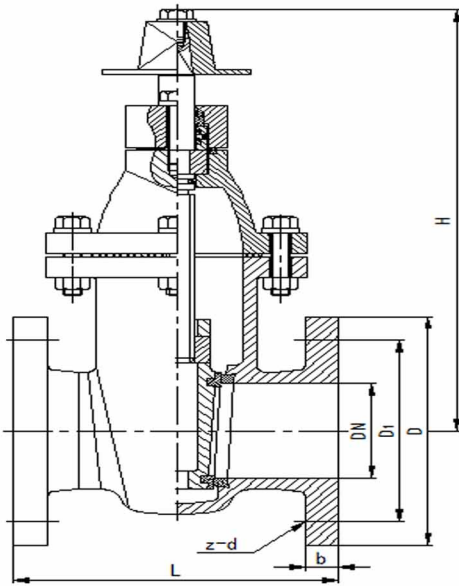


AWWA C500 METALLIC SEATED WEDGE GATE VALVE NRS



Materials of Parts	
Body	Ductile Iron to ASTM A536
Bonnet	Ductile Iron to ASTM A536
Disc	Ductile Iron to ASTM A536
Body seats	Brass to ASTM B16
Wedge seats	Brass to ASTM B16
Stem	Stainless Steel to SS420
Stem nut	Brass to ASTM B16
Gasket	EPDM to ASTM D2000
Handwheel / Cap	Ductile Iron to ASTM A536
Bolts & Nuts	SS304 / Carbon Steel with Zinc

Dimension:							mm
Size	D	D1	H	L	b	z-d	Weight kg
DN40	127	98.5	256	165	15	4-Ø16	11
DN50	152	120.5	274	178	16	4-Ø19	13
DN65	178	139.5	303	190	18	4-Ø19	16
DN80	191	152.5	331	203	19	4-Ø19	22
DN100	229	190.5	368	229	24	8-Ø19	35
DN125	254	216	416	254	24	8-Ø22	43
DN150	279	241.5	457	267	26	8-Ø22	54
DN200	343	298.5	550	292	29	8-Ø22	89
DN250	406	362	632	330	31	12-Ø25	137
DN300	483	432	711	356	32	12-Ø25	190
DN350	533	476	805	381	35	12-Ø29	259
DN400	597	539.5	884	406	37	16-Ø29	314
DN450	635	577.9	976	432	40	16-Ø32	405
DN500	699	635	1042	457	43	20-Ø32	480
DN600	813	749.5	1201	508	48	20-Ø35	750

Note: The illustrations in this catalogue are subject to modifications without notice.