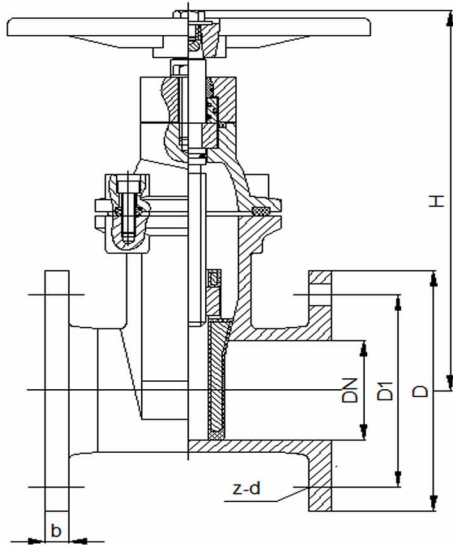


SABS 664 / 665 RESILIENT SEATED WEDGE GATE VALVE NRS



Materials of Parts

Body	Ductile Iron to BS2789 Gr 500/7
Bonnet	Ductile Iron to BS2789 Gr 500/7
Disc	Ductile Iron + EPDM
Stem	Stainless Steel to BS970 Gr SS420
Stem nut	Brass to BS2874
Gasket	EPDM to BS2494
Handwheel	Ductile Iron to BS2789 Gr 500/7
Bolts & Nuts	SS304 / Carbon Steel with Zinc

Dimension: PN16

Size	D	D1	H	L	b	z-d	Weight kg
DN50	165	125	230	216	19	4-Ø19	12
DN65	185	145	258	229	19	4-Ø19	15
DN80	200	160	288	229	19	8-Ø19	18
DN100	220	180	325	254	19	8-Ø19	25
DN125	250	210	367	267	19	8-Ø19	33
DN150	285	240	405	280	19	8-Ø23	43
DN200	340	295	510	317	20	12-Ø23	74
DN250	405	355	586	356	22	12-Ø28	110
DN300	460	410	685	380	24.5	12-Ø28	147
DN350	520	470	780	470	26.5	16-Ø28	218
DN400	580	525	855	470	28	16-Ø31	265

Note: The illustrations in this catalogue are subject to modifications without notice.