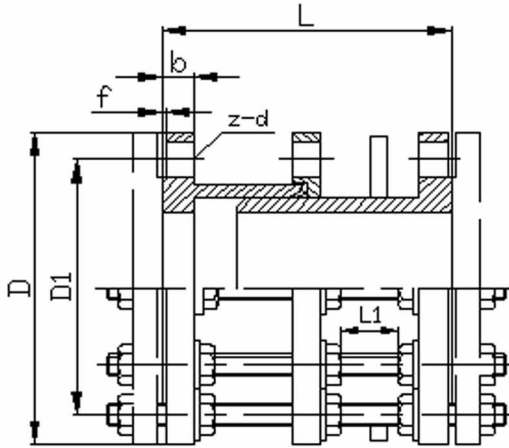


DISMANTLING JOINT



Materials of Parts

Body	Ductile Iron to BS2789 Gr. 500/7
Flange	Ductile Iron to BS2789 Gr. 500/7
Ring	EPDM to BS2494
Bolts	SS304 / Carbon Steel with Zinc
Nuts	SS304 / Carbon Steel with Zinc

Dimension: PN16

Size	D	D1	f	b	L	L1	z-d	Studs	Weight kg
DN50	165	125	3	19	200	30	4-Ø19	M16x305	12
DN65	185	145	3	19	200	30	4-Ø19	M16x305	14
DN80	200	160	3	19	200	30	8-Ø19	M16x305	16
DN100	220	180	3	19	210	30	8-Ø19	M16x315	20
DN125	250	210	3	19	210	30	8-Ø19	M16x315	25
DN150	285	240	3	19	210	30	8-Ø23	M20x320	32
DN200	340	295	3	20	230	35	12-Ø23	M20x340	38
DN250	400	355	3	22	230	35	12-Ø28	M24x355	60
DN300	455	410	4	24.5	230	35	12-Ø28	M24x360	71
DN350	520	470	4	26.5	270	40	16-Ø28	M24x390	96
DN400	580	525	4	28	270	40	16-Ø31	M27x395	124
DN500	715	650	4	31.5	280	40	20-Ø34	M30x425	198
DN600	840	770	5	35	300	40	20-Ø37	M33x460	285
DN700	910	840	5	39.5	320	40	24-Ø37	M33x490	380
DN800	1025	950	5	43	340	45	24-Ø40	M36x535	480
DN1000	1255	1170	5	50	360	45	28-Ø43	M39x570	790

Note: The illustrations in this catalogue are subject to modifications without notice.